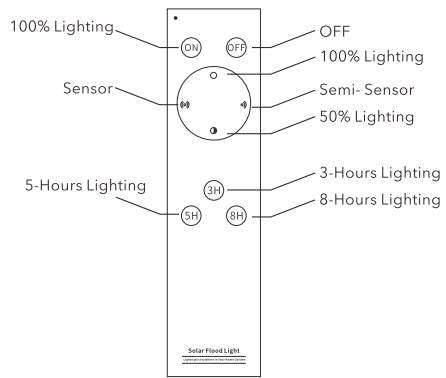


# Solar Flood Light User Manual

## 2. Intelligent Remote Control



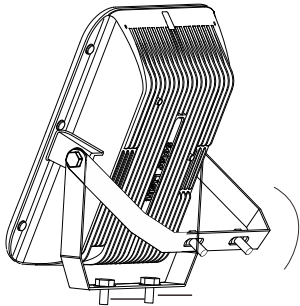
### 7 Working Mode:

- Sensor mode:** automatically turn on when dark. 100% lighting when people pass by, 25% lighting when people leave.
- Semi-sensor mode:** automatically turn on with 100% lighting when dark. Switch to sensor mode after 4 hours. (100% lighting when people pass by. 25% lighting when people leave).
- 100% lighting mode:** automatically turn on with 100% lighting when dark, automatically turn off after dawn.
- 50% lighting mode:** automatically turn on with 50% lighting when dark, automatically turn off after dawn.
- 3-Hours lighting mode:** automatically turn on with 100% lighting when dark, automatically turn off after 3 hours.
- 5-Hours lighting mode:** automatically turn on with 100% lighting when dark, automatically turn off after 5 hours.
- 8-Hours lighting mode:** automatically turn on with 100% lighting when dark, automatically turn off after 8 hours.

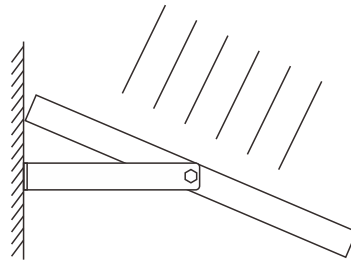
### \* Attention

- Press "On" button for the first use, then select mode, otherwise it is set to 100% lighting mode as default.
- Except the OFF mode, all other modes are automatically turned off in daytime, and automatically turned on at night.
- Semi sensor mode means it will switch to sensor mode after 4 hours' full light.

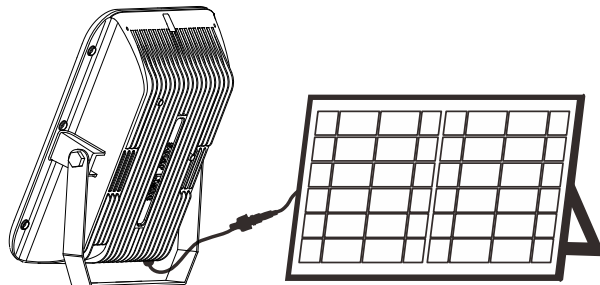
## 3. Installation



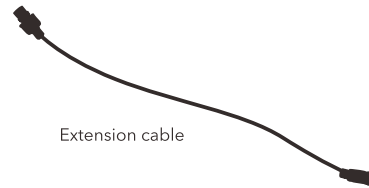
- Fix the lamp according to national standards to ensure that it will not fall. Adjust the movable bracket to the appropriate position (rotation angle: 0 degrees - 180 degrees)



- Fix and adjust the angle of solar panel according to lamp installation. install the solar panel at place under full sunshine in daytime but without light irradiation at night.



- Connect the lamp and solar panel with power cables.



- \* Use the extension cable when the installation distance is over 1M. (According to power and safety issues, it is recommended that the cable length be <4 meters, if the cable length >4 meters may cause problems such as insufficient charging or long charging time).

## ❖ Solar Flood Light User Manual

- Human Radar Sensor-** The interference of high harmonics and other clutter can be suppressed effectively.
- Innovative Design-** Subverting the previous mechanical design, more sleek lines, more outstanding and upmarket shape.
- IP66 Waterproof-** dustproof with good leakproofness, and can withstand the impact of strong rainstorm.
- Best Customer Experience-** 7 options for lighting mode, extension cable to satisfy different installation requirements.
- Lighting Modes-** 100% lighting, 50% lighting, sensor, Semi-sensor, 3-hours lighting, 5-hours lighting, 8-hours lighting.
- Lithium Battery-** adopting LiFePO4 battery to replace traditional gel battery, long-life span.
- Modular Design -** all components are modular design and standardized.

## ❖ Application

Widely used in rural roads, courtyards, villas, parks, plazas, farms, schools, factories, highways and other places that require outdoor lighting, no cables, zero electricity, energy saving, long service life.

## ❖ Parameters

Model	Garden Light	Courtyard Light	Road Light	Square Light
<b>Lumen</b>	300Lumen	600Lumen	1000Lumen	1800Lumen
<b>Solar Panel</b>	8W	15W	25W	40W
<b>Battery Capacity</b>	6000MAH(LiFePO4)	12000MAH(LiFePO4)	18000MAH(LiFePO4)	30000MAH(LiFePO4)
<b>Lamp Size</b>	179*145*49mm	225*165*60mm	275*210*80mm	308*239*81mm
<b>Panel Size</b>	215*230*17mm	400*240*17mm	400*360*20mm	(400*280*17mm)*2
<b>Package</b>	10sets/CTN	8sets/CTN	5sets/CTN	4sets/CTN
<b>IP Class</b>	IP66			
<b>Charging Time</b>	4-5H			
<b>Working Time</b>	10-20H			
<b>Color Temperature</b>	(CW)-(6000-6500K)			

## 1. Indication Sign

